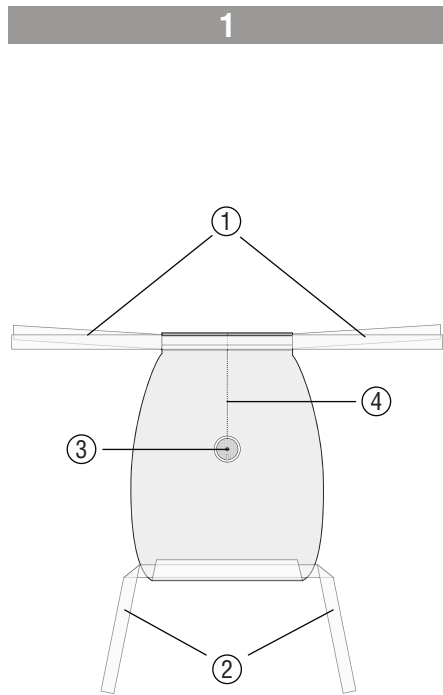


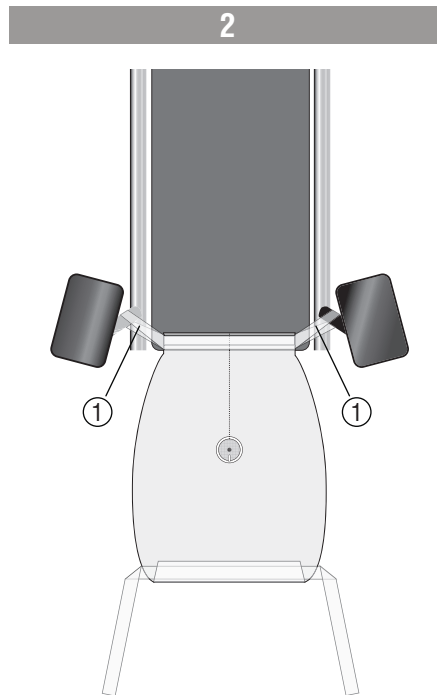


UNIFLEX® TUR-Apron STERILE R

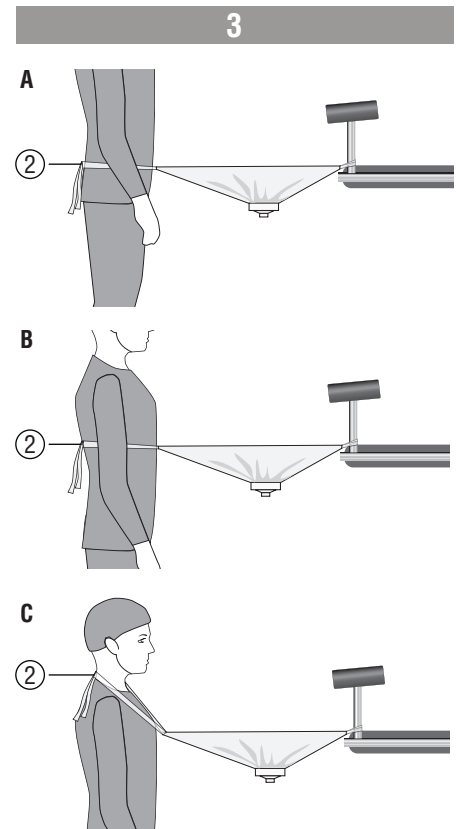
Intended purpose: OP device cover for collecting and draining liquids, for the duration of one application.
For mounting on the operating table. With tiestrap for attachment to the hip, chest or neck.



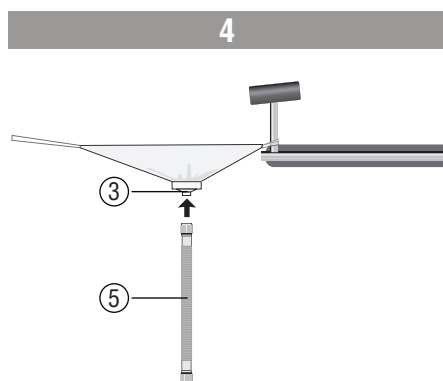
The TUR-Apron is unfolded so that the fastening straps (1) (2) are accessible. The discharge nozzle (3) points downwards (see also illustration 4), and the weld seam (4) points towards the operating table.



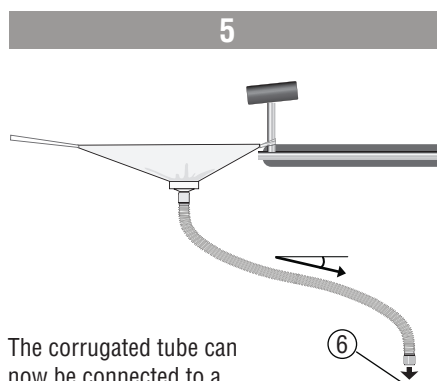
The fastening straps (1) are fixed to the operating table at a suitable location.



Using the straps (2), the Apron can be fastened around (A) the hips, (B) the chest or (C) the neck, as desired. If fastened correctly, the TUR-Apron cannot become detached by itself.

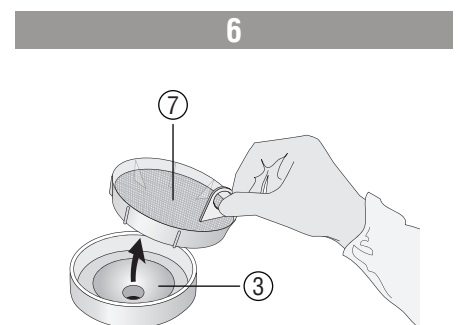


The corrugated tube (5) that is included in the scope of supply is now pushed onto the discharge nozzle (3) of the Apron.



The corrugated tube can now be connected to a suitable drain (6). To avoid liquid build-up ensure a constant slope inside the drain hose.

Suitable adapters for the drain are available separately.



The filter sieve (7) holds back tissue fragments and thus prevents the conduit from becoming blocked. It can be removed from the discharge nozzle (3).



PACKAGE CONTENT		DETAILS
REF 37930	UNIFLEX® TUR-Apron	Size: 50 x 110 cm
	Corrugated tube	Inside diameter of adapter: 22 mm, length extendable up to 200 cm
A detailed product specification is available on request.		

WARNINGS and IMPORTANT INFORMATION



Do not use if sterility is compromised or if the packaging is damaged



CAUTION: Do not use damaged products!



Do not reuse



Do not resterilize



CAUTION: Not suitable for reuse, as the required features may fail and cause an infection of the patient.



CAUTION: The instructions for use apply only to the enclosed products.



CAUTION: Open peel pouch at top seam!



Store in a dry place



Keep away from direct sunlight



ATTENTION: To avoid liquid build-up inside the drain hose, ensure a constant slope inside the hose during installation.



CAUTION: To be used only by healthcare professionals!



CAUTION: Any serious incident that has occurred in relation to the device has to be reported to the manufacturer and the competent authority of the Member State in which the user and/or patient is established.

OTHER SYMBOLS USED



Sterilized using irradiation



Use-by date



Latex-free



Consult instructions for use. The latest instructions for use can be downloaded at www.heisig.de



Number of consumption units per peel pouches



Personnel number of the manufacturing employee



Batch code
JMMM0123



Manufacturer



Number of peel pouches in a carton



Date of manufacture



Article number

PZN: 0000000

Pharmacy central number



The product is compliant with valid legal requirements for medical devices. Manufacturer is monitored by the notified body with number 0197.



Medical device



Single *sterile* barrier system



Single *sterile* barrier system with protective packaging outside



Environmentally compatible if properly disposed of.
No toxic gases arise from burning.
Dump without groundwater pollution.

